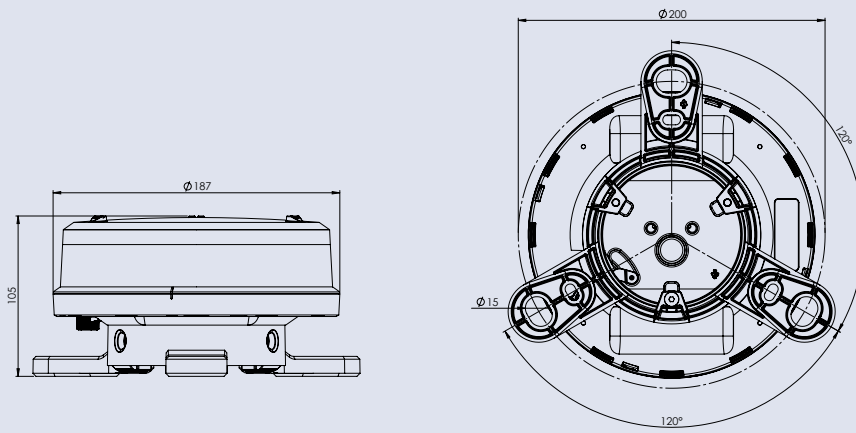


M660

Self-contained LED
lantern for buoys
and minor beacons,
up to 4 NM Range

- Longer life 7+ years Li-ion battery
- Innovative Bluetooth® Control for programming up to 50 meters distance
- Improved solar collection, 50% more
- 4 different mounting options: Standard 3-hole mounting on 150 mm and 200 mm bolt circles. Pole mounting - on 60 mm or 73 mm diameter round poles.
- Product available with charge port
- Very durable and water tight



Optical Performance

Maximum Peak IALA intensity	
red	40 cd
green	42 cd
white	71 cd
yellow	52 cd
blue	18 cd

NOTE: Peak IALA intensity dependent on location. To view performance in your installation location, visit www.marine.sabik.com, Marine Selector Tool

Main Technical Specification

Lens visual/Mechanical diameter	187 mm
Lens material	UV stabilized Polycarbonate
Light source	High Power Light Emitting Diode (LED)
Vertical divergence	>8° (FWHM)
Solar module	High efficiency cells; MPPT
Battery	Li-ion (IEC 62133)
Battery capacity / Dual battery	19 whrs / 38 whrs
Degree of ingress protection	IP 68
Weight	0.8 kg
Installation (adapter)	3 x M6 on 150 mm and 3 x M12 on 200 mm
Installation (pole mount)	3 x #10-14 60 mm or 73 mm diameter

Product Codes

Colour	M660 unswitched	M660 switched	M660 dual battery	M660 charge port
red	M660R	M660R-S	M660R-2B	M660R-C
green	M660G	M660G-S	M660G-2B	M660G-C
white	M660W	M660W-S	M660W-2B	M660W-C
yellow	M660Y	M660Y-S	M660Y-2B	M660Y-C
blue	M660B	M660B-S	M660B-2B	M660B-C

Product code example: M660RSC2B

- **M660R** is Sabik/Carmanah code for M660 in red
- with a selection of switched with charge port and dual battery

Designed and tested to the toughest industrial standards:

Immersion: EN 60529; IP68; MIL-STD-202G: Method 104A, Test Condition B

Shock and Vibration: MIL-STD-202G: Shock, Specified Pulse, Method 213B, Test Condition G; Vibration, Method 204, Test Condition B, 10g peak

Corrosion: MIL-STD-810G: Salt Fog, Method 509.4, 2 cycles of 48 hr. at 35°C, ASTM B117-73 (1979)

Solar Radiation: MIL-STD-810G: Solar Radiation, Method 505.5, Procedure II, Climate cycle A2

Hail: EN 61215, 25mm OD up to 23m/s

EMC/EMI/ESD: 47 CFR Part 15, Subpart B, Section 15.109, EN 60945: 2002, Clauses 9.3, 10.4 and 10.9

CE:

Radio: EN 300 328 V1.9.1

Emissions: EN 301 489-3 V1.6.1, EN 55022:2010/AC:2011

Immunity: EN 301 489-3 V1.6.1

Light Source: IALA E-200-1 (2008)

Sabik Marine has a worldwide distribution network.

To find out closest to you, please visit www.sabik-marine.com

OY SABIK Ab | Finland and international | Tel. +358 19 560 1100 | sales@sabik-marine.com

SABIK Americas | Victoria, British Columbia, Canada | Tel. +1 250 380 0052 | sales.americas@sabik-marine.com

SABIK Ltd | United Kingdom | Tel. +44 1603 250220 | sales.uk@sabik-marine.com

SABIK PTE Ltd | Singapore/Asia | Tel. +65 62934348 | sales.sg@sabik-marine.com

SABIK Russia | Russia and CIS countries | Tel. +7 9219528121 | sales.ru@sabik-marine.com

Represented by

www.sabik-marine.com

SABIK
a Carmanah company

Specifications subject to local environmental conditions. Specifications may be subject to change. The Carmanah-Sabik logo is a joint trademark of Carmanah Technologies Corp. and Sabik Oy.

About Bluetooth® Wireless Technology

Bluetooth wireless technology is the global wireless standard enabling simple connectivity for a broad range of electronic devices. Version 4.0 featuring Bluetooth low energy technology creates new application opportunities for products within the mobile phone, consumer electronics, PC, automotive, health & wellness, sports & fitness and smart home industries. With nearly two billion devices shipping annually, Bluetooth technology is the only proven wireless solution for developers, product manufacturers, and consumers worldwide. Backed by industry leading companies, the Bluetooth SIG empowers more than 18,000 member companies to collaborate, innovate, and guide Bluetooth wireless technology. For more information please visit www.bluetooth.com.

Orion Solar Pty Ltd, Unit 36, 30 Mudgeeraba Road, Worongary, Queensland 4213 07 5559-1666 fax 07 5559 0288

www.orionsolar.com.au